



Solar Inverter

PLUS+

Lithium battery
Communication

Parallel
Use



Pure Sine Wave



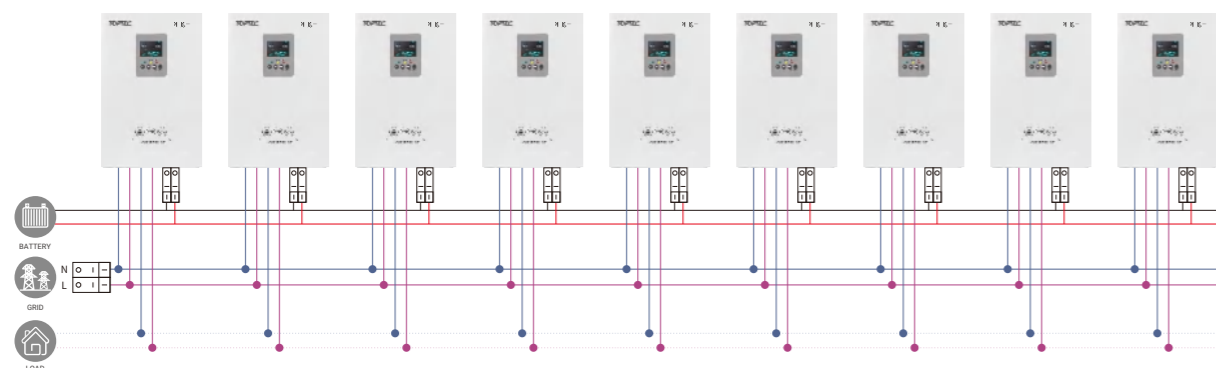
MPPT



RS485/232
CAN



Parallel use



Max 9 parallel Max power 45KW

| PARAMETER | | |
|---|---|---|
| Model | PC 5000plus | PW 5000plus |
| Rated power | 5000W | |
| Standard voltage | 48VDC | |
| Installation | Cabinet/rack installation | Wall mount installation |
| PV PARAMETER | | |
| Working model | MPPT | |
| Rated PV input voltage | 360VDC | |
| MPPT tracking voltage range | 120-430V | |
| Max input voltage (VOC) at lowest temperature | 450V | |
| Max input power | 5500W | |
| Number of MPPT tracking paths | 1 Path | |
| INPUT | | |
| DC input voltage range | 42-60VDC | |
| Rated mains power input voltage | 208/220/230/240VAC | |
| Grid power input voltage range | 90~280VAC(UPS model)/170~280VAC(inverter model) | |
| Grid input frequency range | 40~70Hz | |
| OUTPUT | | |
| Inverter | Output efficiency | 94% |
| | Output voltage | 208VAC±2%/220VAC±2%/230VAC±2%/240VAC±2%(Inverter model) |
| | Output frequency | 50Hz±0.5 or 60Hz±0.5(Inverter model) |
| Grid | Output efficiency | ≥99% |
| | Output voltage range | Following input |
| | Output frequency range | Following input |
| Battery mode no-load loss | ≤1%(At rated power) | |
| Grid mode no-load loss | ≤0.5% Rated power(the charger of grid power doesn't work) | |
| BATTERY | | |
| Battery type | Lead acid battey | Equal charging voltage 56.6V Float voltage 54V |
| | Customized battery | The parameter can be set according to customers' requirement (Use different types of battery by setting the panel) |
| Max mains charging current | 60A | |
| Max PV charging current | 80A | |
| Max charging current(Grid+PV) | 80A | |
| Charging method | Three-stage (constant current, constant voltage, float charge) | |
| PROTECTED MODE | | |
| Battery low voltage alarm | Factory default setting: 44V | |
| Battery low voltage protection | Factory default setting: 42V | |
| Battery Over voltage Protection | 61VDC | |
| Overload power protection | Automatic protection (battery mode), circuit breaker or fuse (mains mode) | |
| Inverter output short circuit protection | Automatic protection (battery mode), circuit breaker or fuse (mains mode) | |
| Temperature protection | ≥90°C off output | |
| PERFORMANCE PARAMETERS | | |
| Parallel quantity | 9PCS | |
| Conversion time | ≤4ms | |
| Cooling method | Intelligent cooling fan | |
| Working temperature | -10~40°C | |
| Storage temperature | -15~60°C | |
| Altitude | 2000m(>2000m altitude need derating) | |
| Humidity | 0~95% (No condensation) | |
| Product Size | 420*290*110mm | 460*304*110mm |
| Package Size | 486*370*198mm | 526*384*198mm |
| Net weight | 8.5kg | 9.5kg |
| Gross weight | 9.5kg | 10.5kg |